

SURGICAL PROCEDURE
PERIPROSTHETIC FEMORAL FRACTURES



Periprosthetic femoral fractures

Indications

- for periprosthetic femoral fractures
 - for periprosthetic diaphyseal femur fractures
 - for fractures at intramedullary implants
- Vancouver B
Vancouver C

Implant:

The implants for periprosthetic femoral damage are made of implant steel (according to ISO 5832-1).

Implant system consists of:



Straight plate angularly stable



Femoral proximal plate



Distal femoral plate



Locking bone screw 5/3,5

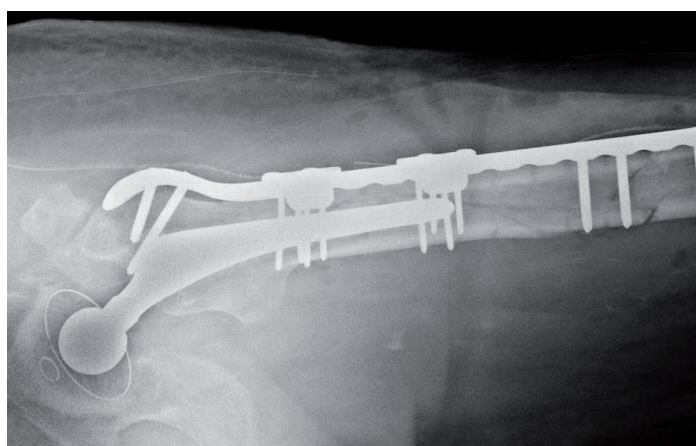
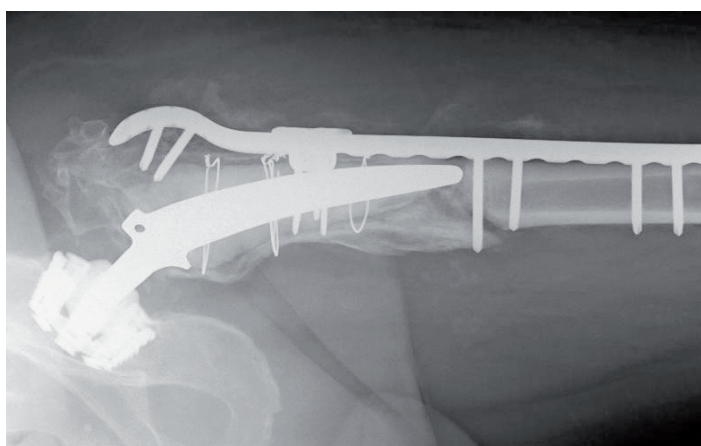
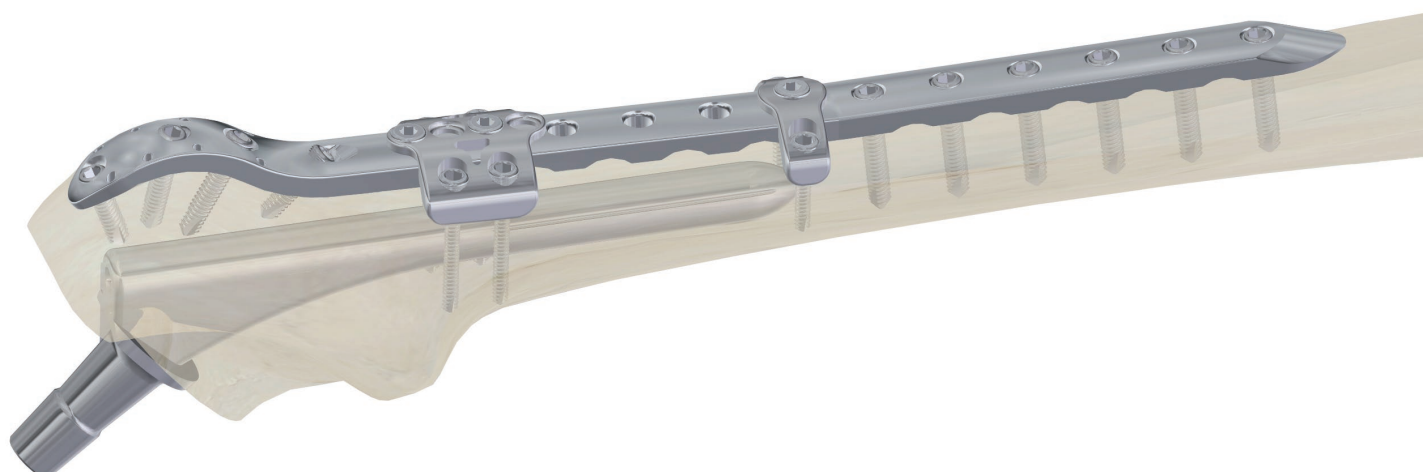
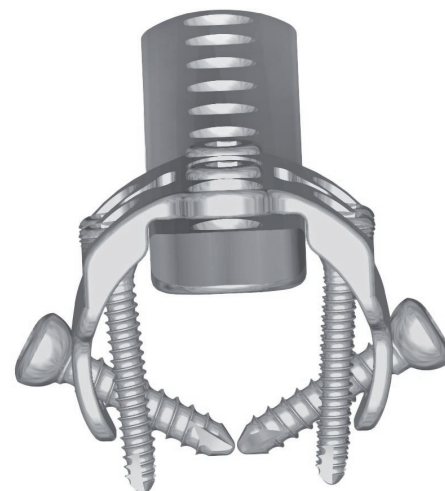
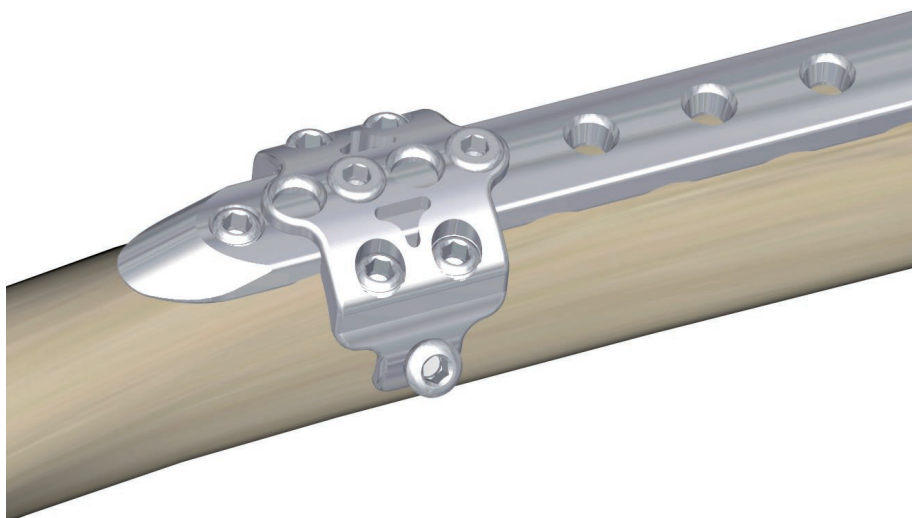


Locking bone screw 5



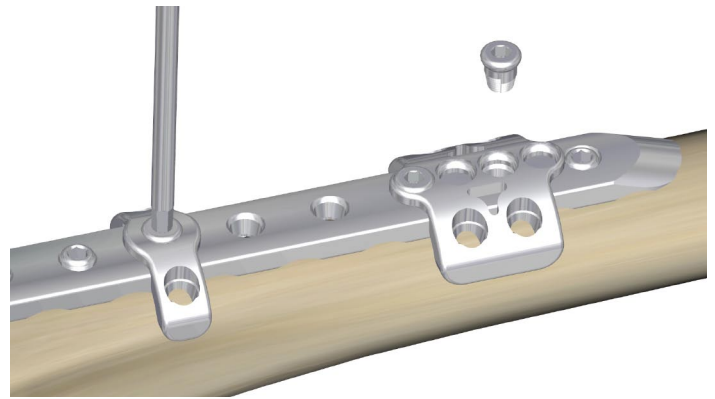
Self-tapping cortical bone screw HA 4.5

Surgical procedure



1. Clamp placement

Fix the clamp on a the plate in its proximal part. It's possible to move the clamp in range of 8.5 mm. We connect the clamp firmly to the plate with a screw.



2. Insetion of the screws in the clamps

Locking screws of \varnothing 5/3.5 mm are inserted into the holes in Clamp 1 and 2.

Screws of \varnothing 5/3.5 mm are inserted in Clamp 3 and cortical screws HA4.5 mm are placed in holes without threads.



3. Check of the insertion

Check tightening of the screws in both the plates and clamp. Remove potential instruments for temporary plate fixation.

4. Recommended procedure of implant removal

Procedure for removing of the plate is the same as with standard plates. At damage of hexagon in the screw head or at other problems with removing of the screws, it is possible to use MEDIN set for screws extraction.

5. Final notes

The MEDIN company requires to use their own implants only to guarantee safe use of the implant. Implants from different companies must never be combined.

Colour-coding of products

Drill with case for pre-drilling of hole for cortical screws HA4.5 mm



Drill with case for pre-drilling of hole for locking screws of \varnothing 5/3.5 mm



PERIPROSTHETIC FEMORAL FRACTURES

Straight plate angularly stable



size	order number
10 holes; 186 mm	129 78 5025
12 holes; 220 mm	129 78 5035
14 holes; 254 mm	129 78 5045
16 holes; 288 mm	129 78 5055
18 holes; 322 mm	129 78 5355
20 holes; 356 mm	129 78 5365

Femoral proximal plate right



size	order number
right; 4 holes; 148 mm	129 78 5070
right; 8 holes; 216 mm	129 78 5080
right; 12 holes; 284 mm	129 78 5090
right; 16 holes; 352 mm	129 78 5100
right; 20 holes; 420 mm	129 78 5110

Femoral proximal plate left



size	order number
left; 4 holes; 148 mm	129 78 5120
left; 8 holes; 216 mm	129 78 5130
left; 12 holes; 284 mm	129 78 5140
left; 16 holes; 352 mm	129 78 5150
left; 20 holes; 420 mm	129 78 5160

Distal femoral plate left



size	order number
left, 4 holes; 165 mm	129 77 9520
left, 6 holes; 202 mm	129 77 9530
left, 8 holes; 232 mm	129 77 9540
left, 10 holes; 266 mm	129 77 9550
left, 12 holes; 299 mm	129 77 9560
left, 14 holes; 336 mm	129 78 6890

Distal femoral plate right



size	order number
right, 4 holes; 165 mm	129 77 9580
right, 6 holes; 202 mm	129 77 9590
right, 8 holes; 232 mm	129 77 9600
right, 10 holes; 266 mm	129 77 9610
right, 12 holes; 299 mm	129 77 9620
right, 14 holes; 336 mm	129 78 6900

Clamp 1

order number
129 78 3700



Clamp 2

order number
129 78 3710



Clamp 3

order number
129 78 3720



Locking screw for clamp

order number
129 78 5000

Locking bone screw 5



size	order number
5x16 mm	129 77 7981
5x20 mm	129 77 8001
5x24 mm	129 77 8021
5x30 mm	129 77 8051
5x34 mm	129 77 8071
5x36 mm	129 77 8081
5x38 mm	129 77 8091
5x40 mm	129 77 8101
5x42 mm	129 77 8111
5x44 mm	129 77 8121
5x46 mm	129 77 8131
5x48 mm	129 77 8141
5x50 mm	129 77 8151
5x60 mm	129 77 8171
5x70 mm	129 77 8191

Locking bone screw 5/3,5

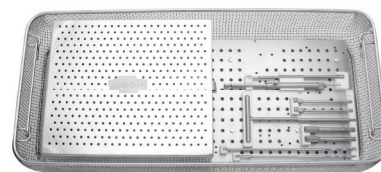


size	order number
5/3,5x16 mm	129 77 8231
5/3,5x20 mm	129 77 8251
5/3,5x24 mm	129 77 8271
5/3,5x30 mm	129 77 8301
5/3,5x34 mm	129 77 8321
5/3,5x36 mm	129 77 8331
5/3,5x38 mm	129 77 8341
5/3,5x40 mm	129 77 8351
5/3,5x42 mm	129 77 8361
5/3,5x44 mm	129 77 8371
5/3,5x46 mm	129 77 8381
5/3,5x48 mm	129 77 8391
5/3,5x50 mm	129 77 8401
5/3,5x60 mm	129 77 8421
5/3,5x70 mm	129 77 8441

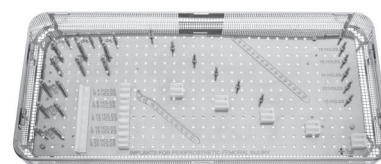
Self-tapping cortical bone screw HA 4.5



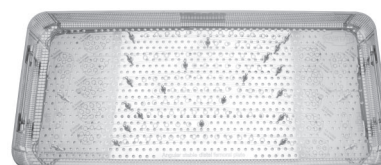
size	order number
HA 4.5x14 mm	129 79 9421
HA 4.5x16 mm	129 79 9431
HA 4.5x18 mm	129 79 9441
HA 4.5x20 mm	129 79 5521
HA 4.5x22 mm	129 79 9451
HA 4.5x24 mm	129 79 9461
HA 4.5x26 mm	129 79 5541
HA 4.5x28 mm	129 79 9471
HA 4.5x30 mm	129 79 5551
HA 4.5x32 mm	129 79 9481
HA 4.5x34 mm	129 79 9491
HA 4.5x36 mm	129 79 5571
HA 4.5x38 mm	129 79 9501
HA 4.5x40 mm	129 79 5581
HA 4.5x42 mm	129 79 9511
HA 4.5x44 mm	129 79 9521
HA 4.5x46 mm	129 79 9531
HA 4.5x48 mm	129 79 9541
HA 4.5x50 mm	129 79 5601



Set of instruments for periprosthetic femoral fractures
139 09 0355
540 x 240 x 90 mm
including instruments



Set of implants for periprosthetic femoral fractures
129 69 5040
excluding implants



Sieve for distal femoral plates
129 69 6230
540 x 240 x 50 mm
excluding implants

© 2014 MEDIN, a.s.; All rights reserved. This document should be used for commercial purposes of MEDIN, a.s.; the data mentioned in the document has informative character. No part of this document can be copied or published in any form without approval of MEDIN, a.s. The product design may differ from those depicted in these illustrations at the date of issue. Adjustments, made from the reason of further developments of technical parameters, are reserved. Printing and typographical errors are reserved.

REFID